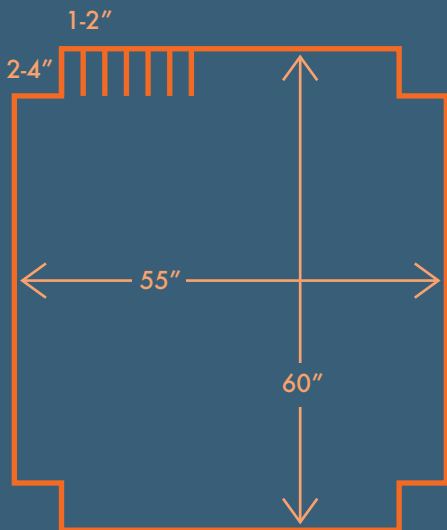


Spread some warmth. Make a blanket.



Cozy blankets are a key part of each Love Bag and a quick way to make a difference for children facing tough circumstances.

Follow these simple instructions:

- 1) Cut 55" x 60" single layer of fleece fabric.
- 2) Cut out the corners of the fabric 2-4" per side.
- 3) Cut slits into the fabric about 2-3" long and 1-2" apart. Repeat for all 4 sides.
- 4) Either knot a single strand to itself like a balloon or double knot two adjacent strands.
- 5) Contact us at myfirsthand@cerner.com to deliver your finished blanket.